

Application for Cemetery Burial Warrant

Application Date _____

Deceased Details

Surname _____ First Names _____

Gender Male Female Age _____

Place of Death _____

Date of Death _____ Place of Birth _____

Last Occupation _____ Religion _____

Last Address _____

Next of Kin _____ Relationship _____

Address _____

Funeral Director OR Payer

Full Name _____ Phone _____

Address _____

I confirm that the details of the deceased listed above are correct and is the person being interred.

Date _____ Signed _____

Burial Details

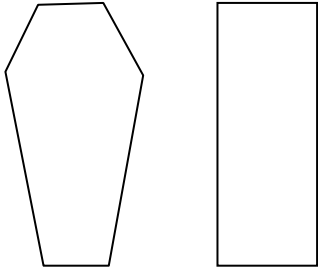
Cemetery _____ Plot Number _____

To book any type of service, please phone (09) 430 4207, then enter that booking time below.

Date, Day & Time of Burial _____

Body Burials

Please indicate Casket Shape



Standard Size
2100mm Length x 770mm Width

If oversized, please provide measurements

Max Length _____mm
Max Width _____mm (including handles)
Max Height _____mm

- Burial Type** Body Ash Scatter
- Plot Type** Standard RSA Family
 Child Infant
 Reserved Re-Open
- Options** Mats
 Lowering Device (*Maunu Only*)
 Gazebo (*Maunu Only*)
 Sticks & Straps
 Backfilling

Burial Warrant is hereby granted by the
Cemeteries Manager

Date warrant issued _____

Authority to Open Plot form has been completed and is included if the plot was purchased more than 3 months from the intended interment date.

Please Note: Burials and/or Scatterings cannot take place until the Burial Warrant has been granted.